

The Mosaic Family

Welcome to the Mosaic Family of linear configurable concealed track pockets and accent lights. The Mosaic Accent Heads can be track mounted or magnetically mounted in the pocket behind the knife edge. These accent lights can be located anywhere within the pocket and are the true workhorse of the family. They feature an articulating arm with three pivot points precisely locating the accent lights where needed for focusing. The head can pan and tilt from a single pivot point located at the head, making aiming simple and quick. It is currently available in two sizes, large and medium. You have found the Large Mosaic Accent Head, for installation in the Mosaic 6" aperture pocket. We hope that you enjoy the details.

PROJECT:

TYPE:

SPECIFIER:

DATE:

Key Points (MSC-H-L)

Housing

- Accent Head for use in Mosaic 6" Pocket
- Die-cast aluminum housing with twist off bezel assembly for access to accessories and optics.
- Available in Black or White painted finish
- Adjustable 360° degree rotation and 180° degree pan and tilt on a cantilevered arm with 5 points of rotational adjustment. Aiming hardware is lockable.
- Track mounted or magnetic base mounted to knife edge internal tray

Source / Optics

- 3 beam spreads - 18°, 28° and 35°
- Up to 3513 delivered lumens
- <2 MacAdams Ellipses (<2 SDCM) for fixed white
- 90+ CRI, 60+ R9 Standard, 95+ CRI, 90+ R9 available with Ambient Dim option
- CCT available in 2700, 3000, 3500, 4000K
- **TITLE 24** Fixture supports CA Title 24 compliance meeting JA8 requirements
- Lifetime: L87B3>55,000 hours at 40°C Ambient

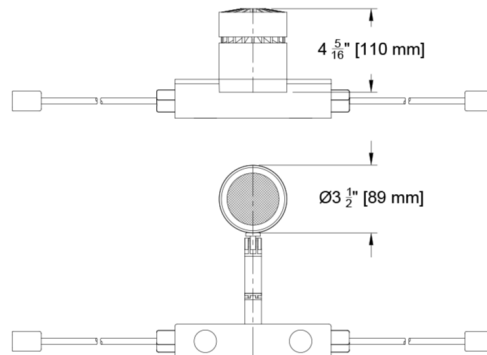
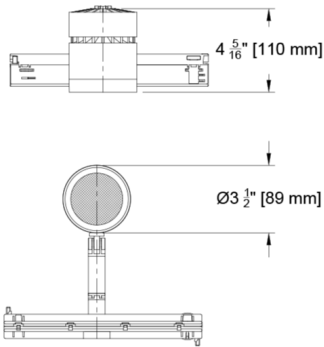
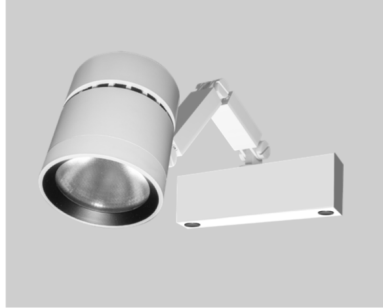
Driver And Control

- 120 volt
- Integral driver located in track adapter or magnetic base
- 0-10 volt or DALI. DALI control enables individual control of each fixture.
- For track mount heads, 0-10 volt dimming control provides single zone of dimming control on 120 volt (2 or 3 circuit track). Refer to MSC-T cutsheets for details on voltage and circuiting.

Large Accent Head-Track Mt



Large Head-Magnetic Mt



Round Beamspreads		18°				28°				35°			
Source	System watts (W)	Delivered Lumens (lm)	Lumens/Watt	Peak CD	10% Field	Delivered Lumens (lm)	Lumens/Watt	Peak CD	10% Field	Delivered Lumens (lm)	Lumens/Watt	Peak CD	10% Field
Citizen C17	20	1928	96	11737	39°	1989	99	7118	57°	1975	99	4982	63°
Citizen C24	29	2646	93	16324	39°	2757	97	9845	57°	2719	95	6875	63°
Citizen C32	38	3380	90	20933	39°	3513	93	12636	57°	3490	93	8847	63°




ISO cd Plots based upon C32 Source. Refer to photometry tab on product page for exact ICO cd plot and IES files.

Ordering Codes

PROJECT: _____ SPECIFIER: _____

DATE: _____ TYPE: _____ QUANTITY: _____

Ordering Code Example: MSC-H-L-TM-C24-30-28-TD1-B-91L

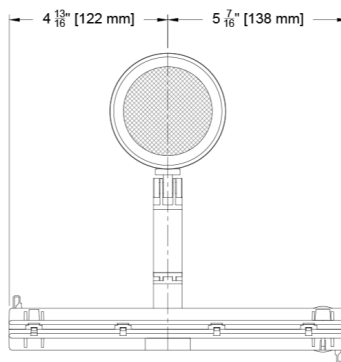
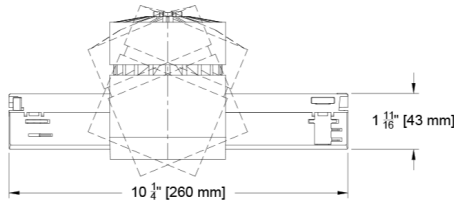
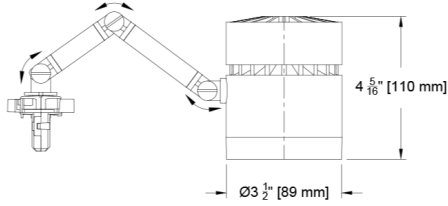
FIXTURE	MOUNTING	SOURCE / WATTS	CCT	BEAM	DRIVER / CONTROL	HEAD FINISH	LENS ACCESSORIES
MSC-H-L							
Mosaic Accent Head - Large	TM Mosaic Track Mount MM Mosaic Magnetic Mount	Citizen C17 ●● 20W 1989Lm* 90+CRI, 60+R9 C24 ●● 29W 2757Lm* 90+CRI, 60+R9 C32 ●● 38W 3513Lm* 90+CRI, 60+R9 ●● CA Title 24 Compliant * Based on 28° Beam	27 2700K 30 3000K 35 3500K 40 4000K	18 Spot 28 Narrow Flood 35 Flood	TD1 0-10V 2.0%, (120-277V) linear TD2 DALI-2 1.0%, (120-277V) linear For MM mounting consult factory for additional driver options.	B Black Paint  W White  Note: Aperture Trim Bezel is black in all finishes.	Reflector (lamp) Media 91L Solite 97L Black Hexcel Louver XXL Other reflector (lamp) media* 

Mounting Options

Large Accent Head

Track Mount (TM)

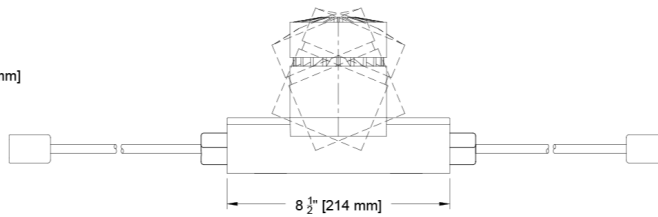
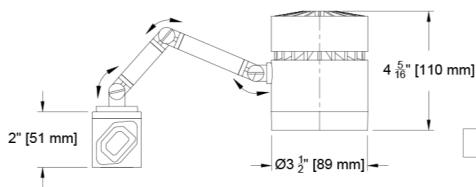
(MSC-H-L-TM-)



Large Accent Head

Magnetic Mount (MM)

(MSC-H-L-MM-)

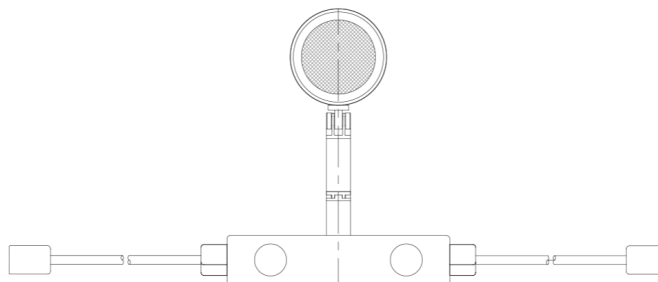


Magnetic Head Interconnect

1', 2', 4' INTERCONNECT LENGTHS

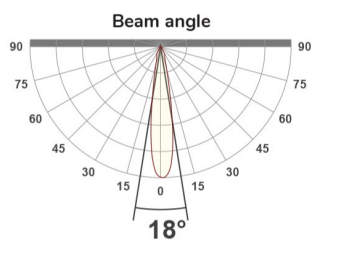
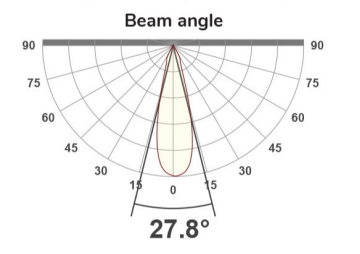
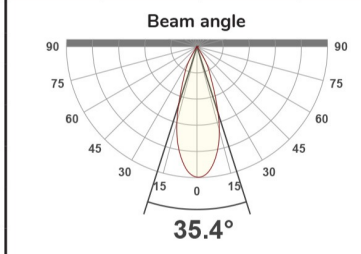


* Standard length 1'



Photometric Table

All data below are delivered lumens based on goniometer measurements of production representative product. All lumen values can vary +/- 10% from LED manufacturer rated nominal flux.

Round Beamspreads		18°				28°				35°			
Source	System watts (W)	Delivered Lumens (lm)	Lumens/ Watt	Peak CD	10% Field	Delivered Lumens (lm)	Lumens/ Watt	Peak CD	10% Field	Delivered Lumens (lm)	Lumens/ Watt	Peak CD	10% Field
Citizen C17	20	1928	96	11737	39°	1989	99	7118	57°	1975	99	4982	63°
Citizen C24	29	2646	93	16324	39°	2757	97	9845	57°	2719	95	6875	63°
Citizen C32	38	3380	90	20933	39°	3513	93	12636	57°	3490	93	8847	63°
CCT Multiplier		 <p>Beam angle 18°</p>				 <p>Beam angle 27.8°</p>				 <p>Beam angle 35.4°</p>			
CCT	Citizen												
2700	0.95												
3000	1.00												
3500	1.02												
4000	1.03												
All measurements are delivered lumens based on 3000K unless otherwise noted below.													

ISO cd Plots based upon C32 Source. Refer to photometry tab on product page for exact ICO cd plot and IES files.

Color Data

All data below are delivered lumens. Color and flux information based on goniometer measurements of production representative product. All values can vary +/- 10% from LED manufacturer data range as listed on their datasheet.

Citizen Source C17, C24, C32

- <2 MacAdam Ellipse (<2 SDCM)
- 90+ CRI and RF
- 60+R9, Hue Bin 1

